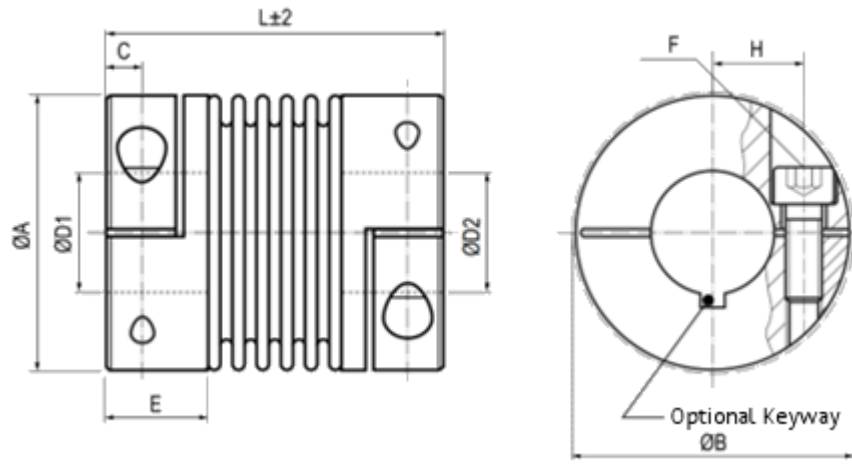


# KB4 Metal bellow coupling



Size	Torque (Nm)	Dimensions (mm)								Technical Specification								
		L	A	D1/D2	H	C	ØB	E	F	Mass (g)	Moment of inertia g.m <sup>2</sup>	Bellows stiffness			Offset			Max rotational speed rpm
		Length	Diameter	Bores				Hub Length	Bolt Torque			Torsion Nm/rad (10 <sup>3</sup> )	Radial N/mm	Axial N/mm	Radial mm	Axial mm	Angle Degrees	
18	18	63	45	10-25.4	17	5.5	47.4	19.5	M5	0.1	0.04	20	205	50	0.2	0.5	1.5	12800
		71							8	0.15	0.05	15	82	36	0.25	0.5	2	
30	30	65	56	10-32	20	7.5	56.4	24.5	M6	0.3	0.15	38	720	50	0.15	0.6	1.5	10300
		73		30#					15	0.32	0.16	28	225	28	0.25	1	2	
60	60	79	66	12-35	23	10	66	29	M8	0.5	0.33	75	1150	90	0.15	0.6	1.5	8700
		89							40	0.6	0.36	50	340	50	0.25	1	2	
80	80	91	82	14-44	28	11	82.9	33.5	M10	2.3	2.3	128	1200	80	0.2	0.5	1.5	6900
		102							84	2.4	2.4	75	400	50	0.25	0.8	2	
150	150	91	82	19-44	28	11	82.9	33.5	M10	2.3	2.5	155	2020	145	0.2	0.5	1.5	6900
		102							84	2.4	2.6	105	595	85	0.25	0.8	2	
200	200	101	90	22-47	31	13	90.8	38	M12	2.6	3.3	175	2500	145	0.2	0.5	1.5	6400
		113							125	2.7	3.5	120	460	82	0.25	0.8	2	
300	300	105	110	30-60	40	13	110	38	M12	4.3	7.6	502	6300	280	0.2	0.5	1.5	6000
		116							145	4.4	7.8	285	1400	145	0.25	0.8	2	
500	500	112	122	35-70	42	15	122	42	M12	5.5	13.5	690	7790	100	0.2	0.5	1.5	5000
		123							145	5.6	13.7	320	970	85	0.25	1	2	
800	800	168	157	40-80	55	22.5	170.3	55	2xM20	14.3	56.9	1270	700	275	0.2	0.8	1.8	5000
									400									
1400	1400	168	157	50-80	55	22.5	170.3	55	2xM20	14.8	57.7	1270	700	275	0.2	0.8	1.8	5000
									470									

Standard Product Order Number:

KB4 / 60 - 89 - 12 - 32

Bellows Range

Size

Length

Bore 1

Bore 2

Material:

Bellows - Stainless Steel

Hub - Aluminium

Size 80 - Steel

Hub:

Tolerance H7

Temperature:

-30°C ~ 120°C

Size 800/1400:

-30°C ~ 250°C

Keyway:

optional Keyways to DIN 6885

Largest Possible bore marked with #